

## POLYAMIDE BLIND STOPS

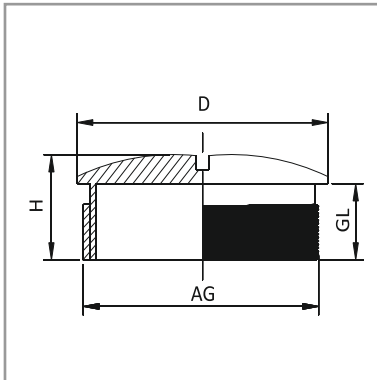
### TECHNICAL DETAILS

#### Material

Screw plug	: Polyamide PA6 V2
Sealing ring	: NBR (on request)
Connection thread	: Metric (EN 60423)/PG (DIN 40430)
Certificates	: ROHS,CE,PT,TUV
Protection class	: IP54 / IP68 (with o-ring)
Temperature range	: -20 °C +100 °C -30 °C +150 °C (short term)

#### Properties

For unused threaded holes  
UV resistance (on request)  
Halogen free



■ RAL 7001

■ RAL 7035

■ RAL 9005

### METRIC/PG THREAD BLIND STOPS

AG Thread	Gray Code ■ RAL 7001	L. Gray Code ■ RAL 7035	Black Code ■ RAL 9005	H mm	GL mm	D mm
M 12 x 1,5	MOGK 01	MOLK 01	MOBK 01	8,5	6	15
M 16 x 1,5	MOGK 02	MOLK 02	MOBK 02	10	7	20
M 20 x 1,5	MOGK 03	MOLK 03	MOBK 03	10	7	24
M 25 x 1,5	MOGK 04	MOLK 04	MOBK 04	14	10	30
M 32 x 1,5	MOGK 05	MOLK 05	MOBK 05	14	10	37
M 40 x 1,5	MOGK 06	MOLK 06	MOBK 06	15	10	46
PG 7	OGK 01	OLK 01	OBK 01	8	6	15
PG 9	OGK 02	OLK 02	OBK 02	8,2	6	19
PG 11	OGK 03	OLK 03	OBK 03	8,5	6	22
PG 13,5	OGK 04	OLK 04	OBK 04	8,5	6	25
PG 16	OGK 05	OLK 05	OBK 05	8,5	6	27
PG 21	OGK 06	OLK 06	OBK 06	12	8	33
PG 29	OGK 07	OLK 07	OBK 07	11,3	8	44
PG 36	OGK 08	OLK 08	OBK 08	14,3	10	55

IP 54

Halogen free